

ANTORCHAS DE SOLDADURA TIG SR-9



ANTORCHA DE SOLDADURA SR-9

MÉTODO DE GUIADO	MANUAL
TIPO DE PROCESO	TIG
TIPO DE REFRIGERACIÓN	GAS
RANGO DE DIÁMETRO DEL ELECTRODO	0.5 - 1.6 mm
FLUJO DE GAS RECOMENDADO	3 - 7 l/min
LONGITUD DE ANTORCHA	4, 8 m
NORMATIVA	BAJO NORMATIVA DE MARCADO CE

FACTORES DE UTILIZACIÓN

	DC	AC
FACTOR 100%	85A	74A
FACTOR 60%	110A	95A

CLASE DE TENSIÓN: L = 113V

LAS TENSIONES DE CARGA ESTÁN ADECUADAS A LA NORMATIVA: UNE-EN 60974/1 (U = 14 + 0,05 x I)

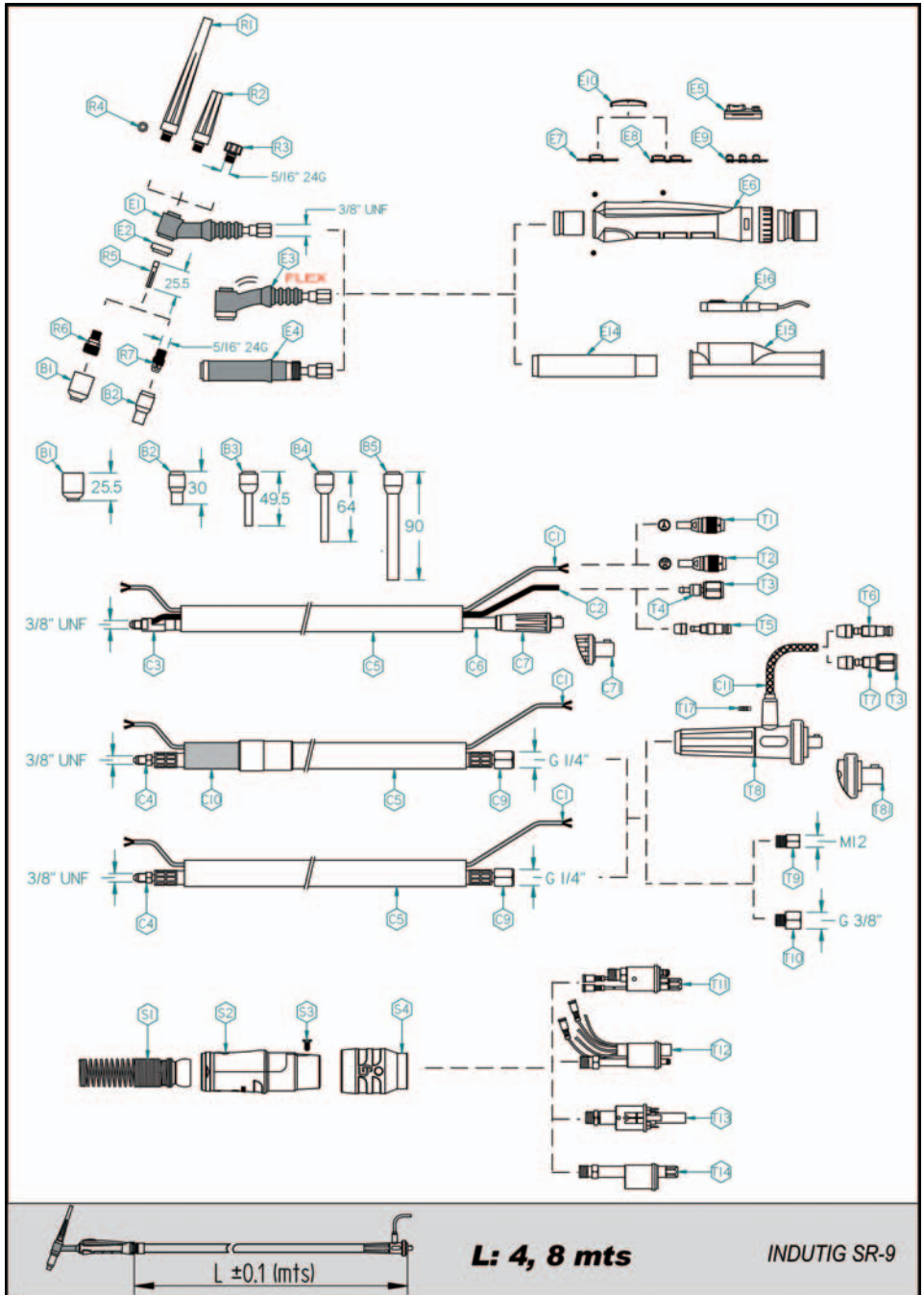
CONTROLES ELÉCTRICOS

PULSADOR ELÉCTRICO DE 50 mA -24V EN AC



EN 60974-7





POS.	CÓDIGO	DESCRIPCIÓN		PZAS./BOLSA
	209EI04B	ANTORCHA BITUBO	SR-9 IMPACT 4 MTRS. 10/25	1
	209EI08B	ANTORCHA BITUBO	SR-9 IMPACT 8 MTRS. 10/25	1
	209EI04	ANTORCHA COAXIAL	SR-9 IMPACT 4 MTRS. 10/25	1
	209EI08	ANTORCHA COAXIAL	SR-9 IMPACT 8 MTRS. 10/25	1
	209EI04P	ANTORCHA COAXIAL PIEL	SR-9 IMPACT 4 MTRS. 10/25	1
	209EI08P	ANTORCHA COAXIAL PIEL	SR-9 IMPACT 8 MTRS. 10/25	1
R-1	209TPLG	TAPA LARGA	SR-9/20W -41V24-	5
R-2	209TPMN	TAPA MEDIANA	SR-9/20W -41V35-	5
R-3	209TPCT	TAPA CORTA	SR-9/20W -41V33-	5
R-4	209TP01	JUNTA TORICA TAPA TIG	SR-09-20	10
R-5	209PZ10	PINZA PORTATUGSTENO Ø 1'0MM.	SR-9/20W -13N21- .040"	5
	209PZ16	PINZA PORTATUGSTENO Ø 1'6MM.	SR-9/20W -13N22- 1/16"	5
	209PZ20	PINZA PORTATUGSTENO Ø 2'0MM.	SR-9/20W	5
	209PZ24	PINZA PORTATUGSTENO Ø 2'4MM.	SR-9/20W -13N23- 3/32"	5
	209PZ32	PINZA PORTATUGSTENO Ø 3'2MM.	SR-9/20W -13N24- 1/8"	5
R-6	209DL10	DIFUSOR Ø 1'0MM. GAS LENS	SR-9/20W -45V42- .040"	5
	209DL16	DIFUSOR Ø 1'6MM. GAS LENS	SR-9/20W -45V43- 1/16"	5
	209DL20	DIFUSOR Ø 2'0MM. GAS LENS	SR-9/20W	5
	209DL24	DIFUSOR Ø 2'4MM. GAS LENS	SR-9/20W -45V44- 3/32"	5
	209DL32	DIFUSOR Ø 3'2MM. GAS LENS	SR-9/20W -45V45- 1/8"	5
R-7	209DI10	DIFUSOR Ø 1'0MM.	SR-9/20W -13N26- .040"	5
	209DI16	DIFUSOR Ø 1'6MM.	SR-9/20W -13N27- 1/16"	5
	209DI20	DIFUSOR Ø 2'0MM.	SR-9/20W	5
	209DI24	DIFUSOR Ø 2'4MM.	SR-9/20W -13N28- 3/32"	5
	209DI32	DIFUSOR Ø 3'2MM.	SR-9/20W -13N29- 1/8"	5
E-1	209EL01	CABEZAL ELECTRICO	SR-9	1
E-2	20903	AISLANTE CABEZAL	SR-9/20W -598882-	5
E-3	209EL01F	CABEZAL ELECTRICO FLEXIBLE	SR-9	1
E-4	209EL01L	CABEZAL ELECTRICO LAPIZ	SR-9P	1
E-5	06ER13	PULSADOR 3 POSICIONES	IMPACT	1
E-6	299ER1	EMPUNADURA COMPLETA ELECTRICA	IMPACT	1
E-7	0299ER14	MICRO SIMPLE	IMPACT	1
E-8	0299ER12	MICRO DOBLE	IMPACT	1
E-9	0299ERIC	MICRO TRIPLE	IMPACT	1
E-10	06ER12	PULSADOR	IMPACT	1
E-14	2179901	EMPUNADURA CILINDRICA	SR-9/17/20W -105Z55-	1
E-15	217EL02	FUNDA MICRO PLANO	SR-9/9V/17/17V/20W -807664-BS1	1
E-16	29902	MICRORRUPTOR PLANO TIG	-SW1F-	5
B-1	209NL58	TOBERA CERAMICA GAS LENS	SR-9/20W -53N58- #4	10
	209NL59	TOBERA CERAMICA GAS LENS	SR-9/20W -53N59- #5	10
	209NL60	TOBERA CERAMICA GAS LENS	SR-9/20W -53N60- #6	10
	209NL61	TOBERA CERAMICA GAS LENS	SR-9/20W -53N61- #7	10
B-2	209NN08	TOBERA CERAMICA	SR-9/20W -13N08- #4	10
	209NN09	TOBERA CERAMICA	SR-9/20W -13N09- #5	10
	209NN10	TOBERA CERAMICA	SR-9/20W -13N10- #6	10
	209NN11	TOBERA CERAMICA	SR-9/20W -13N11- #7	10
	209NN12	TOBERA CERAMICA	SR-9/20W -13N12- #8	10
	209NN13	TOBERA CERAMICA	SR-9/20W -13N13- #10	10
B-3	209NN07L	TOBERA CERAMICA LARGA	SR-9/20W -796F70- #3	10
	209NN08L	TOBERA CERAMICA LARGA	SR-9/20W -796F71- #4	10
	209NN09L	TOBERA CERAMICA LARGA	SR-9/20W -796F72- #5	10
	209NN10L	TOBERA CERAMICA LARGA	SR-9/20W -796F73- #6	10
B-4	209NN07LE	TOBERA CERAMICA LARGA ESPECIAL	SR-9/20W -796F74- #3	10
	209NN08LE	TOBERA CERAMICA LARGA ESPECIAL	SR-9/20W -796F75- #4	10
	209NN09LE	TOBERA CERAMICA LARGA ESPECIAL	SR-9/20W -796F76- #5	10
	209NN10LE	TOBERA CERAMICA LARGA ESPECIAL	SR-9/20W -796F77- #6	10
B-5	209NN07LES	TOBERA CERAMICA LARGA ESPECIAL	SR-9/20W - #3	10
	209NN08LES	TOBERA CERAMICA LARGA ESPECIAL	SR-9/20W - #4	10
	209NN09LES	TOBERA CERAMICA LARGA ESPECIAL	SR-9/20W - #5	10
	209NN10LES	TOBERA CERAMICA LARGA ESPECIAL	SR-9/20W - #6	10
C-1	0299CB	CABLE BIPOLAR APANTALLADO	IMPACT	100
C-2	299TG36	TUBO P.V.C. NEGRO POR MTRS.	Ø3'6MM.	100
C-3	217CX88	ENGANCHE CABLE DELANTERO	SR-9/9V/17/17V	5
C-4	5170116	CONEXI N COAXIAL DELANTERA	16MM2 SR-17/17V	5
C-5	08F1517	FUNDA EXTERIOR	IMPACT SR-9V/SR-17V	40
C-6	4CS16	CABLE UNIPOLAR	16MM2	100
C-7	4AM1025	CONECTOR AEREO MACHO	10/25.	5
C-71	4AM3550	CONECTOR AEREO MACHO	35/50.	5
C-9	5140216	CONEXION COAXIAL TRASERA	16MM2 1/4G	5
C-10	08F1517P	FUNDA EXTERIOR PIEL	IMPACT SR-9V/SR-17V	1
C-11	145TG99	TUBO REFORZADO P.V.C. NEGRO	Ø5'8MM.	100
T-1	299E3P	ENCHUFE	3 PINS	1
T-2	299E5P	ENCHUFE	5 PINS	1
T-3	299TG2	TUERCA TRASERA GAS TIG NIQUEL	1/4GAS	10
T-4	299TG88	TETINA TRASERA GAS TIG	Ø3'6MM.	100
T-5	145TA88A	ENCHUFE RAPIDO TUBO Ø3'6MM	EM-401W/501W	10
T-6	145TA88	ENCHUFE RAPIDO TUBO Ø5'8MM	EM-401W/501W	10
T-7	299TG881	TETINA TRASERA GAS TIG	Ø5'8MM.	100
T-8	220AM14	CONECTOR COAXIAL 10/25 G.-1/4	SR-09/09V/20W/17V -DP25M-	1
T-81	218AM14	CONECTOR COAXIAL 35/50 G1/4	SR-18W/18WV -DP50M-	1
T-9	5120216	CONEXION COAXIAL TRASERA	16MM2 M/12"1	5
T-10	5380216	CONEXION COAXIAL TRASERA	16MM2 3/8G	5
T-11	199MZ	CUERPO CONEXIÓN PINS FLOTANTES	ERGODANI	1

ANTORCHAS DE SOLDADURA TIG SR-17



ANTORCHA DE SOLDADURA SR-17

MÉTODO DE GUIADO	MANUAL
TIPO DE PROCESO	TIG
TIPO DE REFRIGERACIÓN	GAS
RANGO DE DIÁMETRO DEL ELECTRODO	0.5 - 2.4 mm
FLUJO DE GAS RECOMENDADO	3 - 7 l/min
LONGITUD DE ANTORCHA	4, 8 m
NORMATIVA	BAJO NORMATIVA DE MARCADO CE

FACTORES DE UTILIZACIÓN

	DC	AC
FACTOR 100%	110A	100A
FACTOR 60%	140A	125A

CLASE DE TENSIÓN: L = 113V

LAS TENSIONES DE CARGA ESTÁN ADECUADAS A LA NORMATIVA: UNE-EN 60974/1 (U = 14 + 0,05 x I)

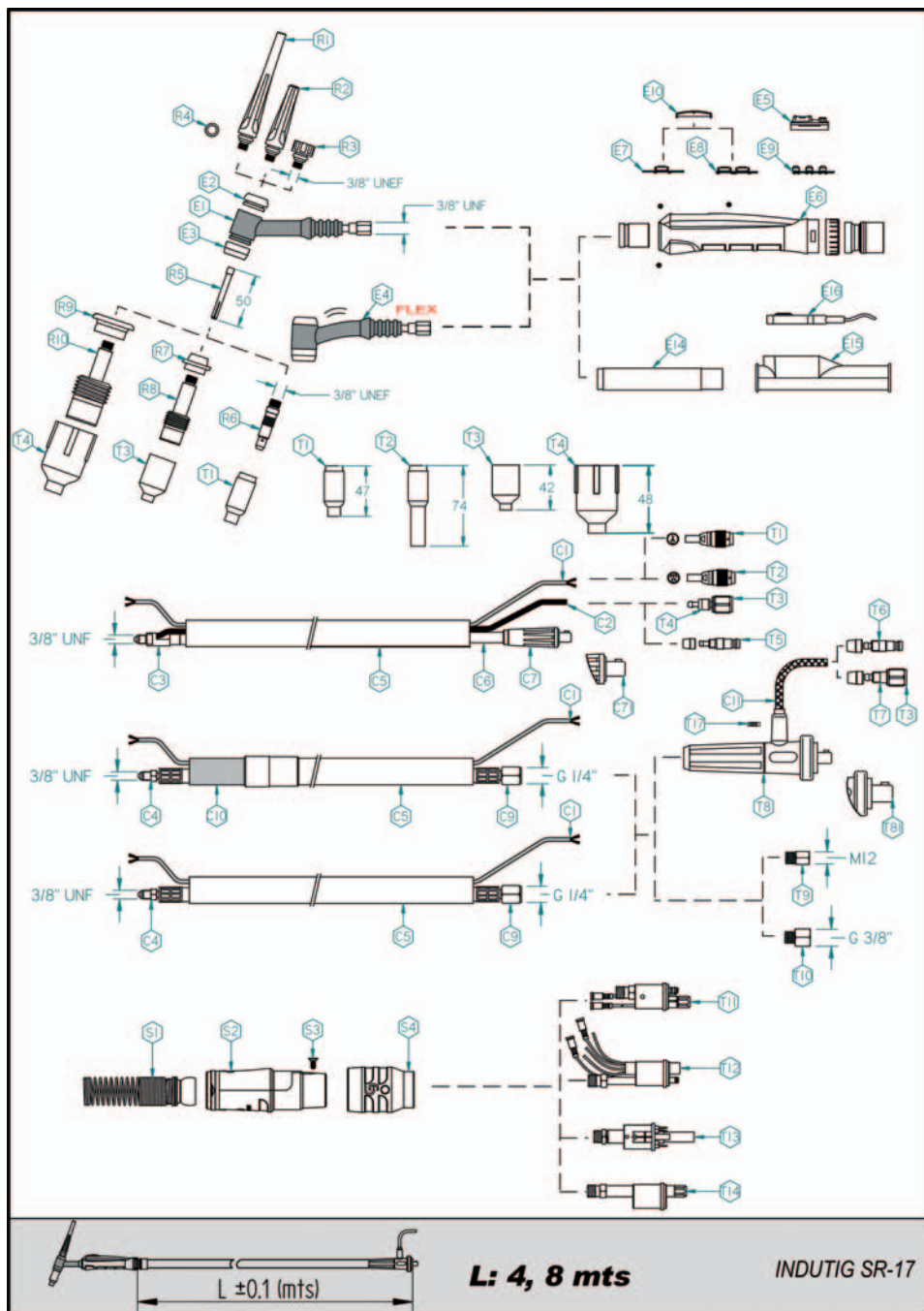
CONTROLES ELÉCTRICOS

PULSADOR ELÉCTRICO DE 50 mA -24V EN AC



EN 60974-7





L: 4, 8 mts

INDUTIG SR-17

POS.	CÓDIGO	DESCRIPCIÓN		PZAS./BOLSA
	217E104B	ANTORCHA BITUBO	SR-17 IMPACT 4 MTRS. 35/50	1
	217E108B	ANTORCHA BITUBO	SR-17 IMPACT 8 MTRS. 35/50	1
	217E104	ANTORCHA COAXIAL	SR-17 IMPACT 4 MTRS. 35/50	1
	217E108	ANTORCHA COAXIAL	SR-17 IMPACT 8 MTRS. 35/50	1
	217E104P	ANTORCHA COAXIAL PIEL	SR-17 IMPACT 4 MTRS. 35/50	1
	217E108P	ANTORCHA COAXIAL PIEL	SR-17 IMPACT 8 MTRS. 35/50	1
R-1	299TPLG	TAPA LARGA	SR-17-V/18W/26-V -57Y02-	5
R-2	299TPMN	TAPA MEDIANA	SR-17-V/18W/26-V -300M-	5
R-3	299TPCT	TAPA CORTA	SR-17-V/18W/26-V -57Y04-	5
R-4	299TP01	JUNTA TORICA TAPA TIG	SR-17-V/18W/26-V -98W77-	10
R-5	299PZ10	PINZA PORTATUGSTENO Ø 1'0MM.	SR-17-V/18W/26-V -10N22-.040"	5
	299PZ16	PINZA PORTATUGSTENO Ø 1'6MM.	SR-17-V/18W/26-V -10N23- 1/16"	5
	299PZ20	PINZA PORTATUGSTENO Ø 2'0MM.	SR-17-V/18W/26-V -10N26-	5
	299PZ24	PINZA PORTATUGSTENO Ø 2'4MM.	SR-17-V/18W/26-V -10N24- 3/32"	5
	299PZ30	PINZA PORTATUGSTENO Ø 3'0MM.	SR-17-V/18W/26-V	5
	299PZ32	PINZA PORTATUGSTENO Ø 3'2MM.	SR-17-V/18W/26-V -10N25- 1/8"	5
	299PZ40	PINZA PORTATUGSTENO Ø 4'0MM.	SR-17-V/18W/26-V -54N20- 5/32"	5
R-6	299D110	DIFUSOR Ø 1'0MM.	SR-17-V/18W/26-V -10N30-.040"	5
	299D116	DIFUSOR Ø 1'6MM.	SR-17-V/18W/26-V -10N31- 1/16"	5
	299D120	DIFUSOR Ø 2'0MM.	SR-17-V/18W/26-V	5
	299D124	DIFUSOR Ø 2'4MM.	SR-17-V/18W/26-V -10N32- 3/32"	5
	299D130	DIFUSOR Ø 3'0MM.	SR-17-V/18W/26-V	5
	299D132	DIFUSOR Ø 3'2MM.	SR-17-V/18W/26-V -10N28- 1/8"	5
	299D140	DIFUSOR Ø 4'0MM.	SR-17-V/18W/26-V	5
R-7	29903GL	AISLANTE DELANTERO GAS LENS	SR-17-V/18W/26-V -54N01-	5
R-8	299DL10	DIFUSOR Ø 1'0MM. GAS LENS	SR-17-V/18W/26-V -45V24-.040"	5
	299DL16	DIFUSOR Ø 1'6MM. GAS LENS	SR-17-V/18W/26-V -45V25- 1/16"	5
	299DL20	DIFUSOR Ø 2'0MM. GAS LENS	SR-17-V/18W/26-V	5
	299DL24	DIFUSOR Ø 2'4MM. GAS LENS	SR-17-V/18W/26-V -45V26- 3/32"	5
	299DL32	DIFUSOR Ø 3'2MM. GAS LENS	SR-17-V/18W/26-V -45V27- 1/8"	5
	299DL40	DIFUSOR Ø 4'0MM. GAS LENS	SR-17-V/18W/26-V -45V28- 5/32"	5
R-9	29903GLE	AISLANTE DELANTERO G.L. ESP.	SR-17-V/18W/26-V -54N63-	5
R-10	299DL16E	DIFUSOR Ø 1'6MM. GAS LENS ESP.	SR-17-V/18W/26-V -45V116-1/16"	5
	299DL24E	DIFUSOR Ø 2'4MM. GAS LENS ESP.	SR-17-V/18W/26-V -45V64- 3/32"	5
	299DL32E	DIFUSOR Ø 3'2MM. GAS LENS ESP.	SR-17-V/18W/26-V -995795- 1/8"	5
E-1	217EL01	CABEZAL ELECTRICO	SR-17	1
E-2	299031	AISLANTE TRASERO	SR-17-V/18W/26-V -18-7-	5
E-3	29903	AISLANTE DELANTERO	SR-17-V/18W/26-V -18CG-	5
E-4	217EL01F	CABEZAL ELECTRICO FLEXIBLE	SR-17F	1
E-5	06ER13	PULSADOR 3 POSICIONES	IMPACT	1
E-6	299ER1	EMPUÑADURA COMPLETA ELECTRICA	IMPACT	1
E-7	0299ER14	MICRO SIMPLE	IMPACT	1
E-8	0299ER12	MICRO DOBLE	IMPACT	1
E-9	0299ERIC	MICRO TRIPLE	IMPACT	1
E-10	06ER12	PULSADOR	IMPACT	1
E-14	2179901	EMPUÑADURA CILINDRICA	SR-9/17/20W -105Z55-	1
E-15	217EL02	FUNDA MICRO PLANO	SR-9/9V/17/17V/20W -807664-BS1	1
E-16	29902	MICRORRUPTOR PLANO TIG	-SW1F-	1
B-1	299NN44	TOBERA CERAMICA Ø19-24MM.	SR-17-V/18W/26-V -10N44- #12	10
	299NN45	TOBERA CERAMICA Ø16-20MM.	SR-17-V/18W/26-V -10N45- #10	10
	299NN46	TOBERA CERAMICA Ø13-18MM.	SR-17-V/18W/26-V -10N46- #8	10
	299NN47	TOBERA CERAMICA Ø11-16MM.	SR-17-V/18W/26-V -10N47- #7	10
	299NN48	TOBERA CERAMICA Ø 9-14MM.	SR-17-V/18W/26-V -10N48- #6	10
	299NN49	TOBERA CERAMICA Ø 8-13MM.	SR-17-V/18W/26-V -10N49- #5	10
	299NN50	TOBERA CERAMICA Ø 6-11MM.	SR-17-V/18W/26-V -10N50- #4	10
B-2	299NN48L	TOBERA CERAMICA Ø 9-14MM.LARGA	SR-17-V/18W/26-V -10N48L- #6	10
	299NN49L	TOBERA CERAMICA Ø 8-13MM.LARGA	SR-17-V/18W/26-V -10N49L- #5	10
B-3	299NL14	TOBERA CERAMICA GAS LENS	SR-17-V/18W/26-V -54N14- #8	10
	299NL15	TOBERA CERAMICA GAS LENS	SR-17-V/18W/26-V -54N15- #7	10
	299NL16	TOBERA CERAMICA GAS LENS	SR-17-V/18W/26-V -54N16- #6	10
	299NL17	TOBERA CERAMICA GAS LENS	SR-17-V/18W/26-V -54N17- #5	10
	299NL18	TOBERA CERAMICA GAS LENS	SR-17-V/18W/26-V -54N18- #4	10
B-4	299NL74	TOBERA CERAMICA GAS LENS ESP.	SR-17-V/18W/26-V -57N74- #7	10
	299NL75	TOBERA CERAMICA GAS LENS ESP.	SR-17-V/18W/26-V -57N75- #6	10
	299NL87	TOBERA CERAMICA GAS LENS ESP.	SR-17-V/18W/26-V -53N87- #9	10
	299NL88	TOBERA CERAMICA GAS LENS ESP.	SR-17-V/18W/26-V -53N88- #8	10
C-1	0299CB	CABLE BIPOLAR APANTALLADO	IMPACT	100
C-2	299TG36	TUBO P.V.C. NEGRO POR MTRS.	Ø3'6MM.	100
C-3	217CX88	ENGANCHE CABLE DELANTERO	SR-9/9V/17/17V	5
C-4	5170116	CONEXION COAXIAL DELANTERA	16MM2 SR-17/17V	5
C-5	08F1517	FUNDA EXTERIOR	IMPACT SR-9V/SR-17V	40
C-6	4CS16	CABLE UNIPOLAR	16MM2	100
C-7	4AM1025	CONECTOR AEREO MACHO	10/25.	5
C-71	4AM3550	CONECTOR AEREO MACHO	35/50.	5
C-9	5140216	CONEXION COAXIAL TRASERA	16MM2 1/4G	5
C-10	08F1517P	FUNDA EXTERIOR PIEL	IMPACT SR-9V/SR-17V	1
C-11	145TG99	TUBO REFORZADO P.V.C. NEGRO	Ø5'8MM.	100
T-1	299E3P	ENCHUFE	3 PINS	1
T-2	299E5P	ENCHUFE	5 PINS	1
T-3	299TG2	TUERCA TRASERA GAS TIG NIQUEL	1/4GAS	10
T-4	299TG88	TETINA TRASERA GAS TIG	Ø3'6MM.	10
T-5	145TA88A	ENCHUFE RAPIDO TUBO Ø3'6MM	EM-401W/501W	10
T-6	145TA88	ENCHUFE RAPIDO TUBO Ø5'8MM	EM-401W/501W	10

ANTORCHAS DE SOLDADURA TIG SR-26



ANTORCHA DE SOLDADURA SR-26

MÉTODO DE GUIADO	MANUAL
TIPO DE PROCESO	TIG
TIPO DE REFRIGERACIÓN	GAS
RANGO DE DIÁMETRO DEL ELECTRODO	0.5 - 4.0 mm
FLUJO DE GAS RECOMENDADO	3 - 9 l/min
LONGITUD DE ANTORCHA	4, 8 m
NORMATIVA	BAJO NORMATIVA DE MARCADO CE

FACTORES DE UTILIZACIÓN

	DC	AC
FACTOR 100%	190A	155A
FACTOR 60%	240A	200A

CLASE DE TENSIÓN: L = 113V

LAS TENSIONES DE CARGA ESTÁN ADECUADAS A LA NORMATIVA: UNE-EN 60974/1 (U = 14 + 0,05 x I)

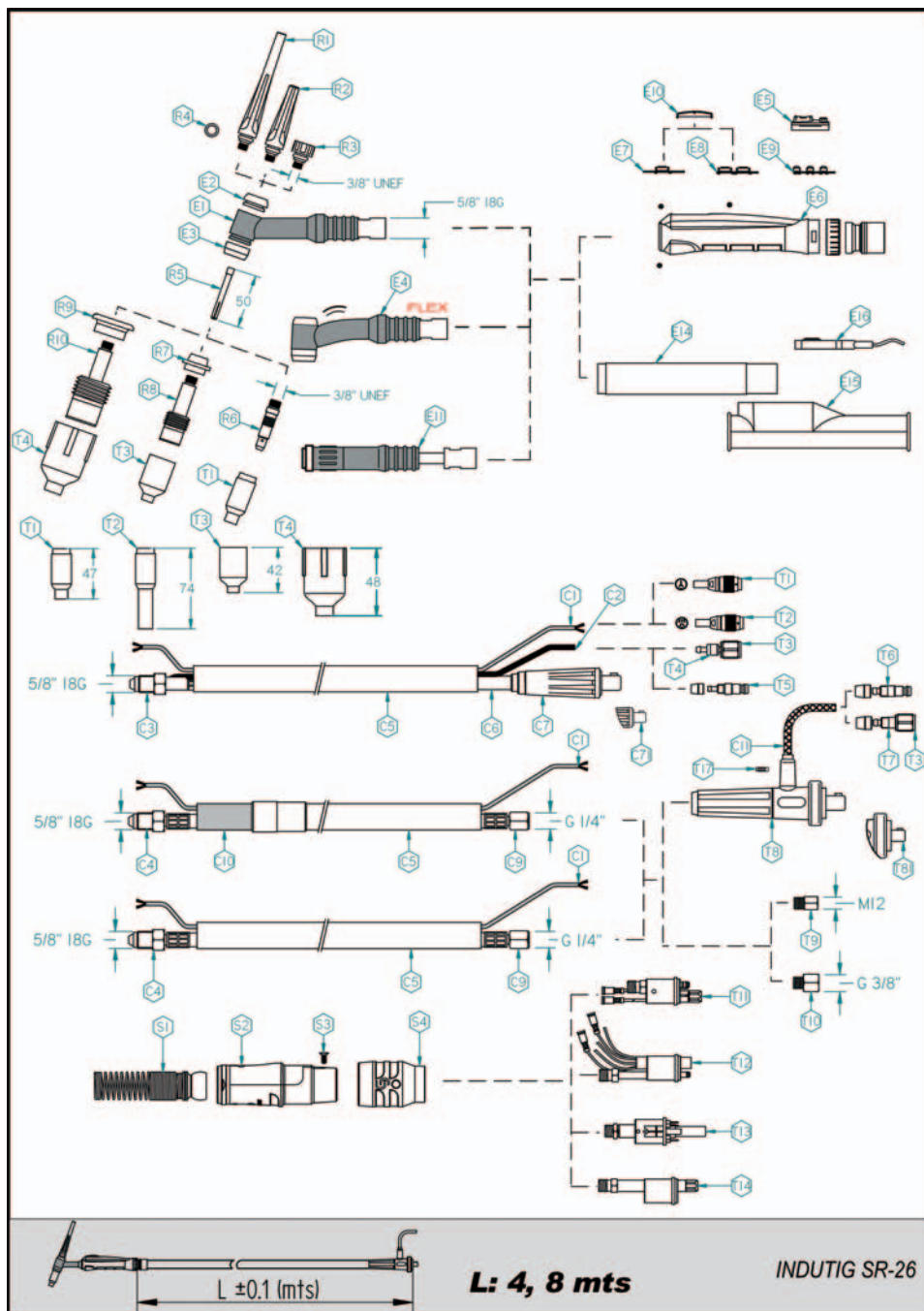
CONTROLES ELÉCTRICOS

PULSADOR ELÉCTRICO DE 50 mA -24V EN AC



EN 60974-7





POS.	CÓDIGO	DESCRIPCIÓN		PZAS.#BOLSA
	226EI04B	ANTORCHA BITUBO	SR-26 IMPACT 4 MTRS. 35/50	1
	226EI08B	ANTORCHA BITUBO	SR-26 IMPACT 8 MTRS. 35/50	1
	226EI04	ANTORCHA COAXIAL	SR-26 IMPACT 4 MTRS. 35/50	1
	226EI08	ANTORCHA COAXIAL	SR-26 IMPACT 8 MTRS. 35/50	1
	226EI04P	ANTORCHA COAXIAL PIEL	SR-26 IMPACT 4 MTRS. 35/50	1
	226EI08P	ANTORCHA COAXIAL PIEL	SR-26 IMPACT 8 MTRS. 35/50	1
R-1	299TPLG	TAPA LARGA	SR-17-V/18W/26-V -57Y02-	5
R-2	299TPMN	TAPA MEDIANA	SR-17-V/18W/26-V -300M-	5
R-3	299TPCT	TAPA CORTA	SR-17-V/18W/26-V -57Y04-	5
R-4	299TP01	JUNTA TORICA TAPA TIG	SR-17-V/18W/26-V -98W77-	10
R-5	299PZ10	PINZA PORTATUGSTENO Ø 1'0MM.	SR-17-V/18W/26-V -10N22- .040"	5
	299PZ16	PINZA PORTATUGSTENO Ø 1'6MM.	SR-17-V/18W/26-V -10N23- 1/16"	5
	299PZ20	PINZA PORTATUGSTENO Ø 2'0MM.	SR-17-V/18W/26-V -10N26-	5
	299PZ24	PINZA PORTATUGSTENO Ø 2'4MM.	SR-17-V/18W/26-V -10N24- 3/32"	5
	299PZ30	PINZA PORTATUGSTENO Ø 3'0MM.	SR-17-V/18W/26-V	5
	299PZ32	PINZA PORTATUGSTENO Ø 3'2MM.	SR-17-V/18W/26-V -10N25- 1/8"	5
	299PZ40	PINZA PORTATUGSTENO Ø 4'0MM.	SR-17-V/18W/26-V -54N20- 5/32"	5
R-6	299D10	DIFUSOR Ø 1'0MM.	SR-17-V/18W/26-V -10N30- .040"	5
	299D116	DIFUSOR Ø 1'6MM.	SR-17-V/18W/26-V -10N31- 1/16"	5
	299D120	DIFUSOR Ø 2'0MM.	SR-17-V/18W/26-V	5
	299D124	DIFUSOR Ø 2'4MM.	SR-17-V/18W/26-V -10N32- 3/32"	5
	299D130	DIFUSOR Ø 3'0MM.	SR-17-V/18W/26-V	5
	299D132	DIFUSOR Ø 3'2MM.	SR-17-V/18W/26-V -10N28- 1/8"	5
	299D140	DIFUSOR Ø 4'0MM.	SR-17-V/18W/26-V	5
R-7	29903GL	AISLANTE DELANTERO GAS LENS	SR-17-V/18W/26-V -54N01-	5
R-8	299DL10	DIFUSOR Ø 1'0MM. GAS LENS	SR-17-V/18W/26-V -45V24- .040"	5
	299DL16	DIFUSOR Ø 1'6MM. GAS LENS	SR-17-V/18W/26-V -45V25- 1/16"	5
	299DL20	DIFUSOR Ø 2'0MM. GAS LENS	SR-17-V/18W/26-V	5
	299DL24	DIFUSOR Ø 2'4MM. GAS LENS	SR-17-V/18W/26-V -45V26- 3/32"	5
	299DL32	DIFUSOR Ø 3'2MM. GAS LENS	SR-17-V/18W/26-V -45V27- 1/8"	5
	299DL40	DIFUSOR Ø 4'0MM. GAS LENS	SR-17-V/18W/26-V -45V28- 5/32"	5
R-9	29903GLE	AISLANTE DELANTERO G.L. ESP.	SR-17-V/18W/26-V -54N63-	5
R-10	299DL16E	DIFUSOR Ø 1'6MM. GAS LENS ESP.	SR-17-V/18W/26-V -45V116-1/16"	5
	299DL24E	DIFUSOR Ø 2'4MM. GAS LENS ESP.	SR-17-V/18W/26-V -45V64- 3/32"	5
	299DL32E	DIFUSOR Ø 3'2MM. GAS LENS ESP.	SR-17-V/18W/26-V -995795- 1/8"	5
E-1	226EL01	CABEZAL ELECTRICO	SR-26	1
E-2	299031	AISLANTE TRASERO	SR-17-V/18W/26-V -18-7-	5
E-3	29903	AISLANTE DELANTERO	SR-17-V/18W/26-V -18CG-	5
E-4	226EL01F	CABEZAL ELECTRICO FLEXIBLE	SR-26F	1
E-5	06ER13	PULSADOR 3 POSICIONES	IMPACT	1
E-6	299ERI	EMPUÑADURA COMPLETA ELECTRICA	IMPACT	1
E-7	0299ER14	MICRO SIMPLE	IMPACT	1
E-8	0299ER12	MICRO DOBLE	IMPACT	1
E-9	0299ERIC	MICRO TRIPLE	IMPACT	1
E-10	06ER12	PULSADOR	IMPACT	1
E-11	226EL01L	CABEZAL ELECTRICO LAPIZ	SR-26P	1
E-14	2269901	EMPUÑADURA CILINDRICA	SR-18W/26 -H200-	1
E-15	226EL02	FUNDA MICRO PLANO	SR-18W/26 -607853-BL1	1
E-16	29902	MICRORRUPTOR PLANO TIG	-SW1F-	1
B-1	299NN44	TOBERA CERAMICA Ø19-24MM.	SR-17-V/18W/26-V -10N44- #12	10
	299NN45	TOBERA CERAMICA Ø16-20MM.	SR-17-V/18W/26-V -10N45- #10	10
	299NN46	TOBERA CERAMICA Ø13-18MM.	SR-17-V/18W/26-V -10N46- #8	10
	299NN47	TOBERA CERAMICA Ø11-16MM.	SR-17-V/18W/26-V -10N47- #7	10
	299NN48	TOBERA CERAMICA Ø 9-14MM.	SR-17-V/18W/26-V -10N48- #6	10
	299NN49	TOBERA CERAMICA Ø 8-13MM.	SR-17-V/18W/26-V -10N49- #5	10
	299NN50	TOBERA CERAMICA Ø 6-11MM.	SR-17-V/18W/26-V -10N50- #4	10
B-2	299NN48L	TOBERA CERAMICA Ø 9-14MM.LARGA	SR-17-V/18W/26-V -10N48L- #6	10
	299NN49L	TOBERA CERAMICA Ø 8-13MM.LARGA	SR-17-V/18W/26-V -10N49L- #5	10
B-3	299NL14	TOBERA CERAMICA GAS LENS	SR-17-V/18W/26-V -54N14- #8	10
	299NL15	TOBERA CERAMICA GAS LENS	SR-17-V/18W/26-V -54N15- #7	10
	299NL16	TOBERA CERAMICA GAS LENS	SR-17-V/18W/26-V -54N16- #6	10
	299NL17	TOBERA CERAMICA GAS LENS	SR-17-V/18W/26-V -54N17- #5	10
	299NL18	TOBERA CERAMICA GAS LENS	SR-17-V/18W/26-V -54N18- #4	10
B-4	299NL74	TOBERA CERAMICA GAS LENS ESP.	SR-17-V/18W/26-V -57N74- #7	10
	299NL75	TOBERA CERAMICA GAS LENS ESP.	SR-17-V/18W/26-V -57N75- #6	10
	299NL87	TOBERA CERAMICA GAS LENS ESP.	SR-17-V/18W/26-V -53N87- #9	10
	299NL88	TOBERA CERAMICA GAS LENS ESP.	SR-17-V/18W/26-V -53N88- #8	10
C-1	0299CB	CABLE BIPOLAR APANTALLADO	IMPACT	100
C-2	299TG36	TUBO P.V.C. NEGRO POR MTRS.	Ø3'6MM.	100
C-3	226CX88	ENGANCHE CERAMICO DELANTERO	SR-26/26V	5
C-4	5260125	CONEXIÓN COAXIAL DELANTERA	25MM2 SR-26/26V	5
C-5	08F2225	FUNDA EXTERIOR	IMPACT SR-26V/SR-18WV	40
C-6	4CS35	CABLE UNIPOLAR	35MM2	100
C-7	4AM3550	CONECTOR AEREO MACHO	35/50.	5
C-71	4AM1025	CONECTOR AEREO MACHO	10/25.	5
C-9	5140225	CONEXION COAXIAL TRASERA	25MM2 1/4G	5
C-10	08F2225P	FUNDA EXTERIOR PIEL	IMPACT SR-26V/SR-18WV	1
C-11	145TG99	TUBO REFORZADO P.V.C. NEGRO	Ø5'8MM.	100
T-1	299E3P	ENCHUFE	3 PINS	1
T-2	299E5P	ENCHUFE	5 PINS	1
T-3	299TG2	TUERCA TRASERA GAS TIG NIQUEL	1/4GAS	10
T-4	299TG88	TETINA TRASERA GAS TIG	Ø3'6MM.	10
T-5	145TA88A	ENCHUFE RAPIDO TUBO Ø3'6MM	EM-401W/501W	10

ANTORCHAS DE SOLDADURA TIG SR-20W



ANTORCHA DE SOLDADURA SR-20W

MÉTODO DE GUIADO	MANUAL
TIPO DE PROCESO	TIG
TIPO DE REFRIGERACIÓN	LÍQUIDO
CAUDAL MÍNIMO DE REFRIGERACIÓN	1.2 l/min
PRES. MÍN. Y MÁX. DE ENTRADA REFRIG.	2.0 - 3.5 bar
RANGO DE DIÁMETRO DEL ELECTRODO	0.5 - 3.2 mm
FLUJO DE GAS RECOMENDADO	3 - 9 l/min
LONGITUD DE ANTORCHA	4, 8 m
NORMATIVA	BAJO NORMATIVA DE MARCADO CE

FACTORES DE UTILIZACIÓN

	DC	AC
FACTOR 100%	195A	135A
FACTOR 60%	250A	175A

CLASE DE TENSIÓN: L = 113V

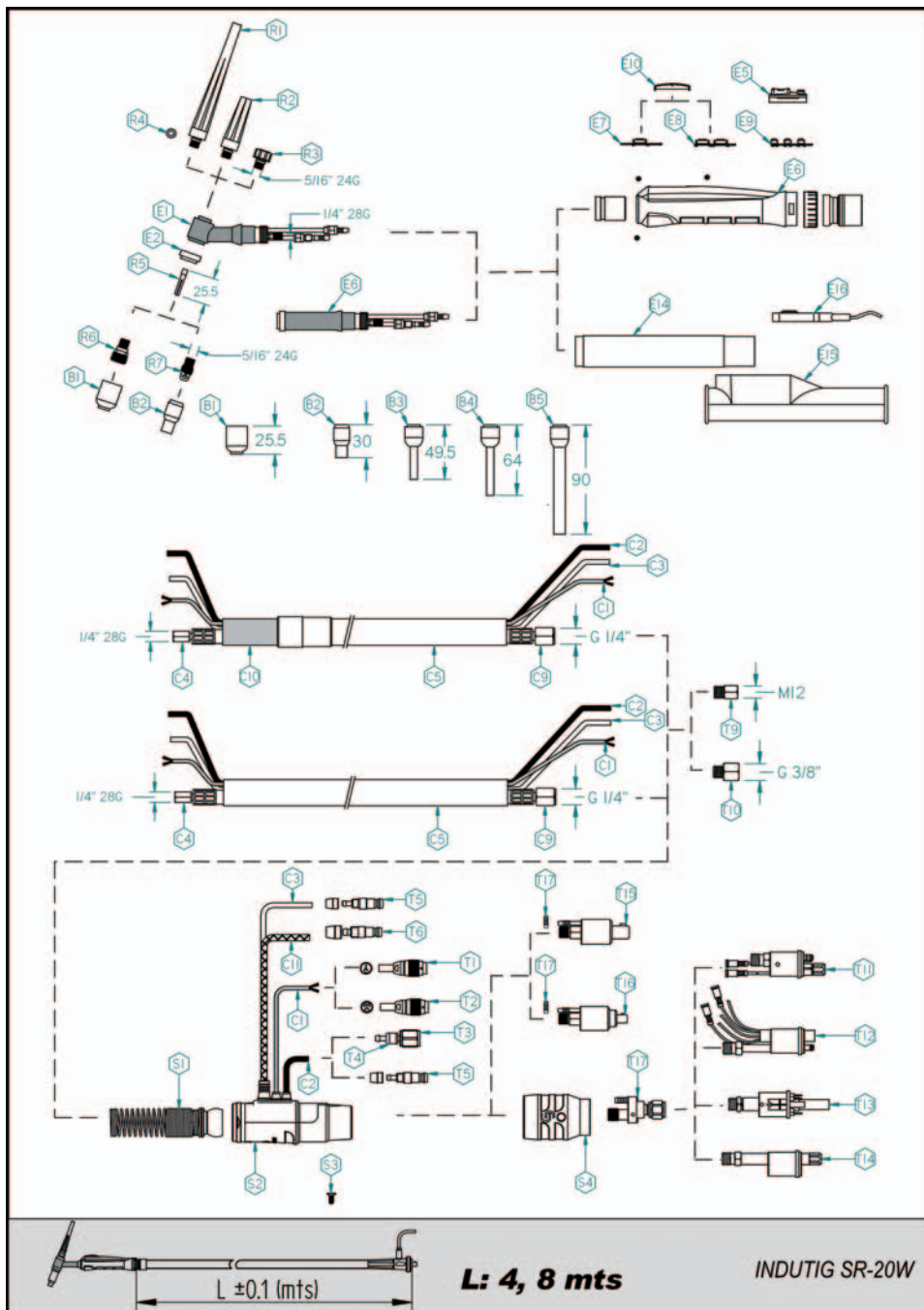
LAS TENSIONES DE CARGA ESTÁN ADECUADAS A LA
NORMATIVA: UNE-EN 60974/1 (U = 14 + 0,05 x I)

CONTROLES ELÉCTRICOS

PULSADOR ELÉCTRICO DE 50 mA -24V EN AC



EN 60974-7



L: 4, 8 mts

INDUTIG SR-20W

POS.	CÓDIGO	DESCRIPCIÓN	PZAS./BOLSA	
	220E104	ANTORCHA COAXIAL	SR-20W IMPACT 4 MTRS. 10/25	1
	220E108	ANTORCHA COAXIAL	SR-20W IMPACT 8 MTRS. 10/25	1
	220E104P	ANTORCHA COAXIAL PIEL	SR-20W IMPACT 4 MTRS. 10/25	1
	220E108P	ANTORCHA COAXIAL PIEL	SR-20W IMPACT 8 MTRS. 10/25	1
R-1	209TPLG	TAPA LARGA	SR-9/20W -41V24-	5
R-2	209TPMN	TAPA MEDIANA	SR-9/20W -41V35-	5
R-3	209TPCT	TAPA CORTA	SR-9/20W -41V33-	5
R-4	209TP01	JUNTA TORICA TAPA TIG	SR-09-20	10
R-5	209PZ10	PINZA PORTATUGSTENO Ø 1'0MM.	SR-9/20W -13N21- .040"	5
	209PZ16	PINZA PORTATUGSTENO Ø 1'6MM.	SR-9/20W -13N22- 1/16"	5
	209PZ20	PINZA PORTATUGSTENO Ø 2'0MM.	SR-9/20W	5
	209PZ24	PINZA PORTATUGSTENO Ø 2'4MM.	SR-9/20W -13N23- 3/32"	5
	209PZ32	PINZA PORTATUGSTENO Ø 3'2MM.	SR-9/20W -13N24- 1/8"	5
R-6	209DL10	DIFUSOR Ø 1'0MM. GAS LENS	SR-9/20W -45V42- .040"	5
	209DL16	DIFUSOR Ø 1'6MM. GAS LENS	SR-9/20W -45V43- 1/16"	5
	209DL20	DIFUSOR Ø 2'0MM. GAS LENS	SR-9/20W	5
	209DL24	DIFUSOR Ø 2'4MM. GAS LENS	SR-9/20W -45V44- 3/32"	5
	209DL32	DIFUSOR Ø 3'2MM. GAS LENS	SR-9/20W -45V45- 1/8"	5
R-7	209D110	DIFUSOR Ø 1'0MM.	SR-9/20W -13N26- .040"	5
	209D116	DIFUSOR Ø 1'6MM.	SR-9/20W -13N27- 1/16"	5
	209D120	DIFUSOR Ø 2'0MM.	SR-9/20W	5
	209D124	DIFUSOR Ø 2'4MM.	SR-9/20W -13N28- 3/32"	5
	209D132	DIFUSOR Ø 3'2MM.	SR-9/20W -13N29- 1/8"	5
E-1	220EL01	CABEZAL ELECTRICO	SR-20W	1
E-2	20903	AISLANTE CABEZAL	SR-9/20W -598882-	5
E-4	220EL01L	CABEZAL ELECTRICO LAPIZ	SR-20WP	1
E-5	06ER13	PULSADOR 3 POSICIONES	IMPACT	1
E-6	299ER1	EMPUNADURA COMPLETA ELECTRICA	IMPACT	1
E-7	0299ER14	MICRO SIMPLE	IMPACT	1
E-8	0299ER12	MICRO DOBLE	IMPACT	1
E-9	0299ERIC	MICRO TRIPLE	IMPACT	1
E-10	06ER12	PULSADOR	IMPACT	1
E-14	2179901	EMPUNADURA CILINDRICA	SR-9/17/20W -105Z55-	1
E-15	217EL02	FUNDA MICRO PLANO	SR-9/9V17/17V/20W -807664-B51	1
E-16	29902	MICRORRUPTOR PLANO TIG	-SW1F-	1
B-1	209NL58	TOBERA CERAMICA GAS LENS	SR-9/20W -53N58- #4	10
	209NL59	TOBERA CERAMICA GAS LENS	SR-9/20W -53N59- #5	10
	209NL60	TOBERA CERAMICA GAS LENS	SR-9/20W -53N60- #6	10
	209NL61	TOBERA CERAMICA GAS LENS	SR-9/20W -53N61- #7	10
B-2	209NN08	TOBERA CERAMICA	SR-9/20W -13N08- #4	10
	209NN09	TOBERA CERAMICA	SR-9/20W -13N09- #5	10
	209NN10	TOBERA CERAMICA	SR-9/20W -13N10- #6	10
	209NN11	TOBERA CERAMICA	SR-9/20W -13N11- #7	10
	209NN12	TOBERA CERAMICA	SR-9/20W -13N12- #8	10
	209NN13	TOBERA CERAMICA	SR-9/20W -13N13- #10	10
B-3	209NN07L	TOBERA CERAMICA LARGA	SR-9/20W -796F70- #3	10
	209NN08L	TOBERA CERAMICA LARGA	SR-9/20W -796F71- #4	10
	209NN09L	TOBERA CERAMICA LARGA	SR-9/20W -796F72- #5	10
	209NN10L	TOBERA CERAMICA LARGA	SR-9/20W -796F73- #6	10
B-4	209NN07LE	TOBERA CERAMICA LARGA ESPECIAL	SR-9/20W -796F74- #3	10
	209NN08LE	TOBERA CERAMICA LARGA ESPECIAL	SR-9/20W -796F75- #4	10
	209NN09LE	TOBERA CERAMICA LARGA ESPECIAL	SR-9/20W -796F76- #5	10
	209NN10LE	TOBERA CERAMICA LARGA ESPECIAL	SR-9/20W -796F77- #6	10
B-5	209NN07LES	TOBERA CERAMICA LARGA ESPECIAL	SR-9/20W - #3	10
	209NN08LES	TOBERA CERAMICA LARGA ESPECIAL	SR-9/20W - #4	10
	209NN09LES	TOBERA CERAMICA LARGA ESPECIAL	SR-9/20W - #5	10
	209NN10LES	TOBERA CERAMICA LARGA ESPECIAL	SR-9/20W - #6	10
C-1	0299CB	CABLE BIPOLAR APANTALLADO	IMPACT	100
C-2	299TG36	TUBO P.V.C. NEGRO POR MTRS.	Ø3'6MM.	100
C-3	299TG36B	TUBO P.V.C. BLANCO POR MTRS.	Ø3'6MM.	100
C-4	5200104	CONEXIÓN COAXIAL DELANTERA	SR-20W	5
C-5	08F2225	FUNDA EXTERIOR	IMPACT SR-26W/SR-18WV	40
C-9	5140216	CONEXION COAXIAL TRASERA	16MM2 1/4G	5
C-10	08F2225P	FUNDA EXTERIOR PIEL	IMPACT SR-26W/SR-18WV	1
C-11	145TG99	TUBO REFORZADO P.V.C. NEGRO	Ø5'8MM.	100
T-1	299E3P	ENCHUFE	3 PINS	1
T-2	299E5P	ENCHUFE	5 PINS	1
T-3	299TG2	TUERCA TRASERA GAS TIG NIQUEL	1/4GAS	10
T-4	299TG88	TETINA TRASERA GAS TIG	Ø3'6MM.	10
T-5	145TA88A	ENCHUFE RAPIDO TUBO Ø3'6MM	EM-401W/501W	10
T-6	145TA88	ENCHUFE RAPIDO TUBO Ø5'8MM	EM-401W/501W	10
T-9	5120216	CONEXION COAXIAL TRASERA	16MM2 M/12'1	5
T-10	5380216	CONEXION COAXIAL TRASERA	16MM2 3/8G	5
T-11	199MZ	CUERPO CONEXION PINS FLOTANTES	ERGODANI	1
T-12	299MZET	CUERPO CONEXION TIG	EURO-TIG	1
T-13	CS7502	ADAPTADOR CENTRAL ANTORCHA	6 PINS / PLASMA-TIG	1
T-14	299MZLT	CUERPO CONEXION TIG	L-TEC	1
T-15	218AM14	CONECTOR COAXIAL 35/50 G1/4	SR-18W/18WV -DP50M-	1
T-16	220AM14	CONECTOR COAXIAL 10/25 G.-1/4	SR-09/09V/20W/17V -DP25M-	1
T-17	145T095	ABRAZADERA OREJA	-09-5	10
T-18	218MZ	ADAPTADOR M1/4-H1/4	SR-18W/20W	1
S-1	1EM9EP0W	CONJUNTO MUELLE+ROTULA AGUA	ERGODANI MINOR	1
S-2	29924W	SOPORTE CONEXION AGUA	IMPACT	1
S-3	1EM9MZ1	TORNILLO CUERPO	ERGODANI EM/EX/NEO	1
S-4	1EN9925	TUERCA INSERTADA AZUL	ERGODANI NEO	1

ANTORCHAS DE SOLDADURA TIG SR-18W

ANTORCHA DE SOLDADURA SR-18W

MÉTODO DE GUIADO	MANUAL
TIPO DE PROCESO	TIG
TIPO DE REFRIGERACIÓN	LÍQUIDO
CAUDAL MÍNIMO DE REFRIGERACIÓN	1.4 l/min
PRES. MÍN. Y MÁX. DE ENTRADA REFRIG.	2.0 - 3.5 bar
RANGO DE DIÁMETRO DEL ELECTRODO	0.5 - 4.0 mm
FLUJO DE GAS RECOMENDADO	3 - 11 l/min
LONGITUD DE ANTORCHA	4, 8 m
NORMATIVA	BAJO NORMATIVA DE MARCADO CE

FACTORES DE UTILIZACIÓN

	DC	AC
FACTOR 100%	250A	195A
FACTOR 60%	320A	250A

CLASE DE TENSIÓN: L = 113V

LAS TENSIONES DE CARGA ESTÁN ADECUADAS A LA NORMATIVA: UNE-EN 60974/1 (U = 14 + 0,05 x I)

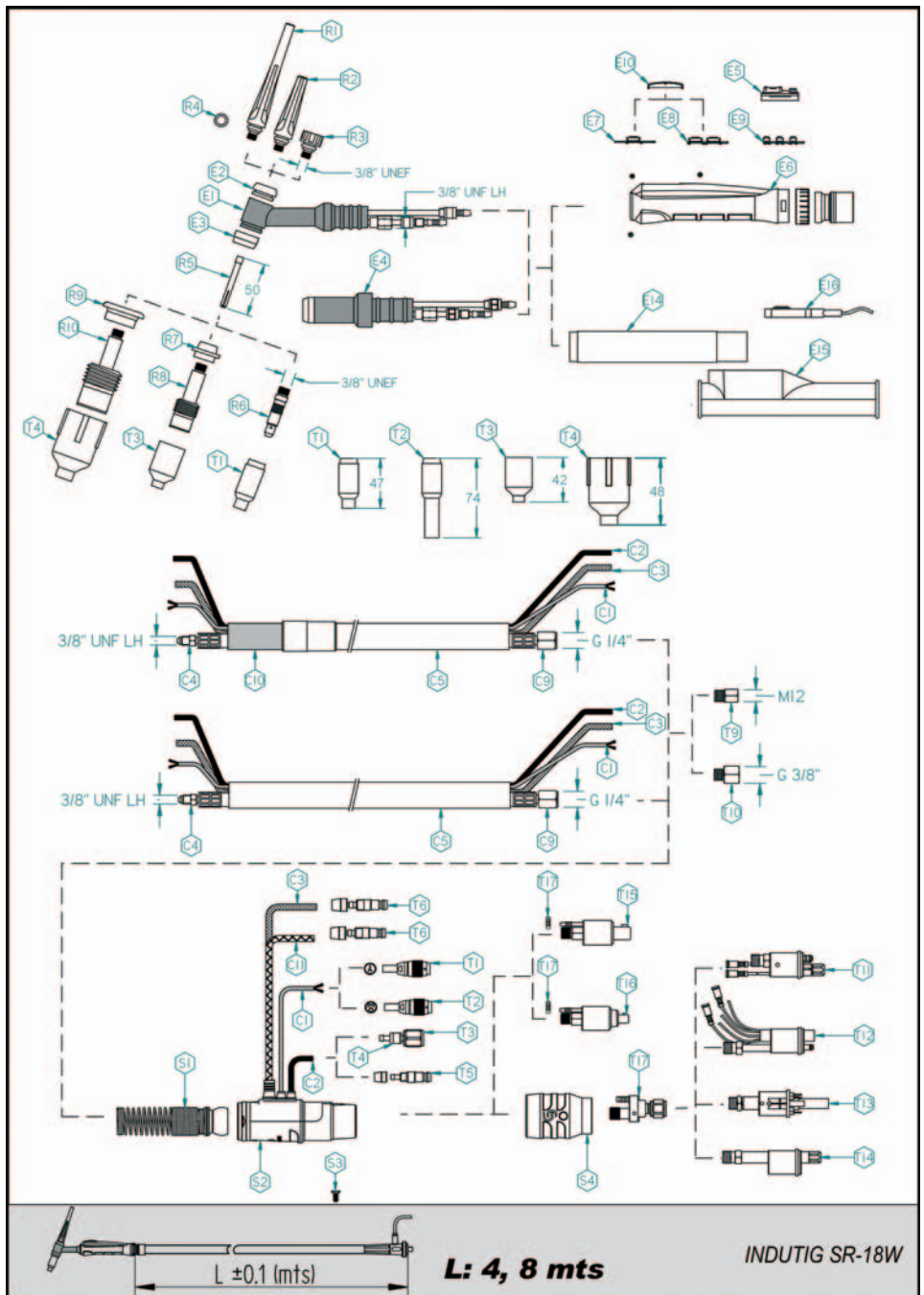
CONTROLES ELÉCTRICOS

PULSADOR ELÉCTRICO DE 50 mA -24V EN AC



EN 60974-7





L: 4, 8 mts

INDUTIG SR-18W

POS.	CÓDIGO	DESCRIPCIÓN	PZAS./BOLSA	
	218E104	ANTORCHA COAXIAL	SR-18W IMPACT 4 MTRS. 35/50	1
	218E108	ANTORCHA COAXIAL	SR-18W IMPACT 8 MTRS. 35/50	1
	218E104P	ANTORCHA COAXIAL PIEL	SR-18W IMPACT 4 MTRS. 35/50	1
	218E108P	ANTORCHA COAXIAL PIEL	SR-18W IMPACT 8 MTRS. 35/50	1
R-1	299TPLG	TAPA LARGA	SR-17-V/18W/26-V -57Y02-	5
R-2	299TPMN	TAPA MEDIANA	SR-17-V/18W/26-V -300M-	5
R-3	299TPCT	TAPA CORTA	SR-17-V/18W/26-V -57Y04-	5
R-4	299TP01	JUNTA TORICA TAPA TIG	SR-17-V/18W/26-V -98W77-	10
R-5	299PZ10	PINZA PORTATUGSTENO Ø 1'0MM.	SR-17-V/18W/26-V -10N22- .040"	5
	299PZ16	PINZA PORTATUGSTENO Ø 1'6MM.	SR-17-V/18W/26-V -10N23- 1/16"	5
	299PZ20	PINZA PORTATUGSTENO Ø 2'0MM.	SR-17-V/18W/26-V -10N26-	5
	299PZ24	PINZA PORTATUGSTENO Ø 2'4MM.	SR-17-V/18W/26-V -10N24- 3/32"	5
	299PZ30	PINZA PORTATUGSTENO Ø 3'0MM.	SR-17-V/18W/26-V	5
	299PZ32	PINZA PORTATUGSTENO Ø 3'2MM.	SR-17-V/18W/26-V -10N25- 1/8"	5
	299PZ40	PINZA PORTATUGSTENO Ø 4'0MM.	SR-17-V/18W/26-V -54N20- 5/32"	5
R-6	299D110	DIFUSOR Ø 1'0MM.	SR-17-V/18W/26-V -10N30- .040"	5
	299D116	DIFUSOR Ø 1'6MM.	SR-17-V/18W/26-V -10N31- 1/16"	5
	299D120	DIFUSOR Ø 2'0MM.	SR-17-V/18W/26-V	5
	299D124	DIFUSOR Ø 2'4MM.	SR-17-V/18W/26-V -10N32- 3/32"	5
	299D130	DIFUSOR Ø 3'0MM.	SR-17-V/18W/26-V	5
	299D132	DIFUSOR Ø 3'2MM.	SR-17-V/18W/26-V -10N28- 1/8"	5
	299D140	DIFUSOR Ø 4'0MM.	SR-17-V/18W/26-V	5
R-7	29903GL	AISLANTE DELANTERO GAS LENS	SR-17-V/18W/26-V -54N01-	5
R-8	299DL10	DIFUSOR Ø 1'0MM. GAS LENS	SR-17-V/18W/26-V -45V24- .040"	5
	299DL16	DIFUSOR Ø 1'6MM. GAS LENS	SR-17-V/18W/26-V -45V25- 1/16"	5
	299DL20	DIFUSOR Ø 2'0MM. GAS LENS	SR-17-V/18W/26-V	5
	299DL24	DIFUSOR Ø 2'4MM. GAS LENS	SR-17-V/18W/26-V -45V26- 3/32"	5
	299DL32	DIFUSOR Ø 3'2MM. GAS LENS	SR-17-V/18W/26-V -45V27- 1/8"	5
	299DL40	DIFUSOR Ø 4'0MM. GAS LENS	SR-17-V/18W/26-V -45V28- 5/32"	5
R-9	29903GLE	AISLANTE DELANTERO G.L. ESP.	SR-17-V/18W/26-V -54N63-	5
R-10	299DL16E	DIFUSOR Ø 1'6MM. GAS LENS ESP.	SR-17-V/18W/26-V -45V116-1/16"	5
	299DL24E	DIFUSOR Ø 2'4MM. GAS LENS ESP.	SR-17-V/18W/26-V -45V64- 3/32"	5
	299DL32E	DIFUSOR Ø 3'2MM. GAS LENS ESP.	SR-17-V/18W/26-V -995795- 1/8"	5
E-1	218EL01	CABEZAL ELECTRICO	SR-18W	1
E-2	299031	AISLANTE TRASERO	SR-17-V/18W/26-V -18-7-	5
E-3	29903	AISLANTE DELANTERO	SR-17-V/18W/26-V -18CG-	5
E-4	218EL01L	CABEZAL ELECTRICO LAPIZ	SR-18WP	1
E-5	06ER13	PULSADOR 3 POSICIONES	IMPACT	1
E-6	299ERI	EMPUNADURA COMPLETA ELECTRICA	IMPACT	1
E-7	0299ER14	MICRO SIMPLE	IMPACT	1
E-8	0299ER12	MICRO DOBLE	IMPACT	1
E-9	0299ERIC	MICRO TRIPLE	IMPACT	1
E-10	06ER12	PULSADOR	IMPACT	1
E-14	2269901	EMPUNADURA CILINDRICA	SR-18W/26 -H200-	1
E-15	226EL02	FUNDA MICRO PLANO	SR-18W/26 -607853-BL1	1
E-16	29902	MICRORRUPTOR PLANO TIG	-SW1F-	1
B-1	299NN44	TOBERA CERAMICA Ø19-24MM.	SR-17-V/18W/26-V -10N44- #12	10
	299NN45	TOBERA CERAMICA Ø16-20MM.	SR-17-V/18W/26-V -10N45- #10	10
	299NN46	TOBERA CERAMICA Ø13-18MM.	SR-17-V/18W/26-V -10N46- #8	10
	299NN47	TOBERA CERAMICA Ø11-16MM.	SR-17-V/18W/26-V -10N47- #7	10
	299NN48	TOBERA CERAMICA Ø 9-14MM.	SR-17-V/18W/26-V -10N48- #6	10
	299NN49	TOBERA CERAMICA Ø 8-13MM.	SR-17-V/18W/26-V -10N49- #5	10
	299NN50	TOBERA CERAMICA Ø 6-11MM.	SR-17-V/18W/26-V -10N50- #4	10
B-2	299NN48L	TOBERA CERAMICA Ø 9-14MM.LARGA	SR-17-V/18W/26-V -10N48L- #6	10
	299NN49L	TOBERA CERAMICA Ø 8-13MM.LARGA	SR-17-V/18W/26-V -10N49L- #5	10
B-3	299NL14	TOBERA CERAMICA GAS LENS	SR-17-V/18W/26-V -54N14- #8	10
	299NL15	TOBERA CERAMICA GAS LENS	SR-17-V/18W/26-V -54N15- #7	10
	299NL16	TOBERA CERAMICA GAS LENS	SR-17-V/18W/26-V -54N16- #6	10
	299NL17	TOBERA CERAMICA GAS LENS	SR-17-V/18W/26-V -54N17- #5	10
	299NL18	TOBERA CERAMICA GAS LENS	SR-17-V/18W/26-V -54N18- #4	10
B-4	299NL74	TOBERA CERAMICA GAS LENS ESP.	SR-17-V/18W/26-V -57N74- #7	10
	299NL75	TOBERA CERAMICA GAS LENS ESP.	SR-17-V/18W/26-V -57N75- #6	10
	299NL87	TOBERA CERAMICA GAS LENS ESP.	SR-17-V/18W/26-V -53N87- #9	10
	299NL88	TOBERA CERAMICA GAS LENS ESP.	SR-17-V/18W/26-V -53N88- #8	10
C-1	0299CB	CABLE BIPOLAR APANTALLADO	IMPACT	100
C-2	145TG99	TUBO REFORZADO P.V.C. NEGRO	Ø5"8MM.	100
C-3	145TA99F	TUBO REFORZADO P.V.C. AZUL	Ø5"8MM.	100
C-4	5180125	CONEXI_N COAXIAL DELANTERA	25MM2 SR-18W/18WV	5
C-5	08F2225	FUNDA EXTERIOR	IMPACT SR-26V/SR-18WV	40
C-9	5140225	CONEXION COAXIAL TRASERA	25MM2 1/4G	5
C-10	08F2225P	FUNDA EXTERIOR PIEL	IMPACT SR-26V/SR-18WV	1
C-11	145TA99C	TUBO REFORZADO P.V.C. ROJO	Ø5"8MM.	100
T-1	299E3P	ENCHUFE	3 PINS	1
T-2	299E5P	ENCHUFE	5 PINS	1
T-3	299TG2	TUERCA TRASERA GAS TIG NIQUEL	1/4GAS	10
T-4	299TG88	TETINA TRASERA GAS TIG	Ø3"6MM.	10
T-5	145TA88A	ENCHUFE RAPIDO TUBO Ø3"6MM	EM-401W/501W	10
T-6	145TA88	ENCHUFE RAPIDO TUBO Ø5"8MM	EM-401W/501W	10
T-9	5120225	CONEXION COAXIAL TRASERA	25MM2 M/12"1	5
T-10	5380225	CONEXION COAXIAL TRASERA	25MM2 3/8G	5
T-11	199MZ	CUERPO CONEXIÓN PINS FLOTANTES	ERGODANI	1
T-12	299MZET	CUERPO CONEXION TIG	EURO-TIG	1
T-13	CS7502	ADAPTADOR CENTRAL ANTORCHA	6 PINS / PLASMA-TIG	1

ANTORCHAS DE SOLDADURA TIG 210



ANTORCHA DE SOLDADURA SR-210

MÉTODO DE GUIADO	MANUAL
TIPO DE PROCESO	TIG
TIPO DE REFRIGERACIÓN	GAS
RANGO DE DIÁMETRO DEL ELECTRODO	0.5 - 4.0 mm
FLUJO DE GAS RECOMENDADO	3 - 9 l/min
LONGITUD DE ANTORCHA	4, 8 m
NORMATIVA	BAJO NORMATIVA DE MARCADO CE

FACTORES DE UTILIZACIÓN

	DC	AC
FACTOR 100%	140A	125A
FACTOR 60%	180A	160A

CLASE DE TENSIÓN: L = 113V

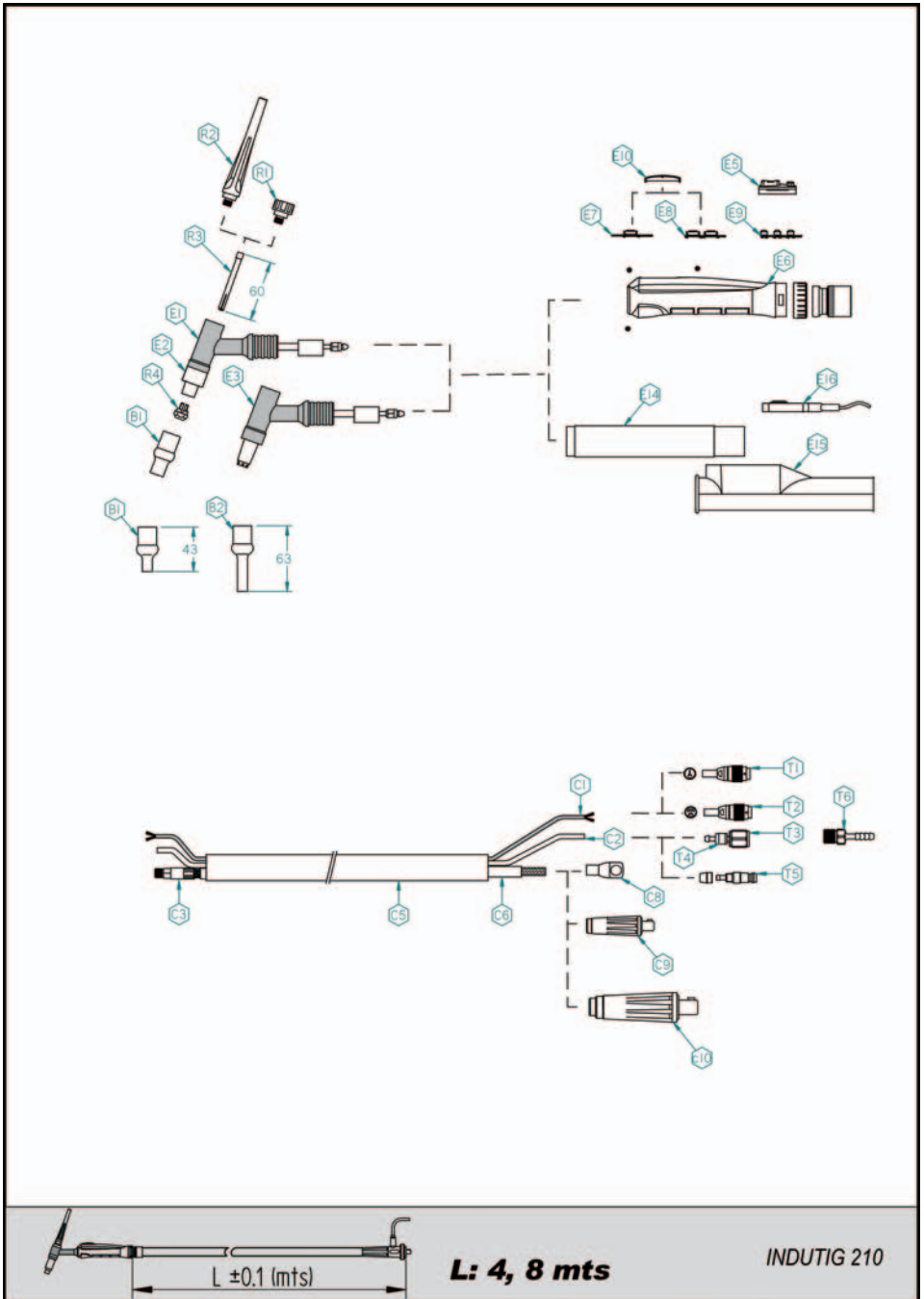
LAS TENSIONES DE CARGA ESTÁN ADECUADAS A LA NORMATIVA: UNE-EN 60974/1 (U = 14 + 0,05 x I)

CONTROLES ELÉCTRICOS

PULSADOR ELÉCTRICO DE 50 mA -24V EN AC



EN 60974-7



ANTORCHAS DE SOLDADURA TIG 226



ANTORCHA DE SOLDADURA SR-226

MÉTODO DE GUIADO	MANUAL
TIPO DE PROCESO	TIG
TIPO DE REFRIGERACIÓN	GAS
RANGO DE DIÁMETRO DEL ELECTRODO	0.5 - 4.0 mm
FLUJO DE GAS RECOMENDADO	3 - 11 l/min
LONGITUD DE ANTORCHA	4, 8 m
NORMATIVA	BAJO NORMATIVA DE MARCADO CE

FACTORES DE UTILIZACIÓN

	DC	AC
FACTOR 100%	200A	160A
FACTOR 60%	260A	200A

CLASE DE TENSIÓN: L = 113V

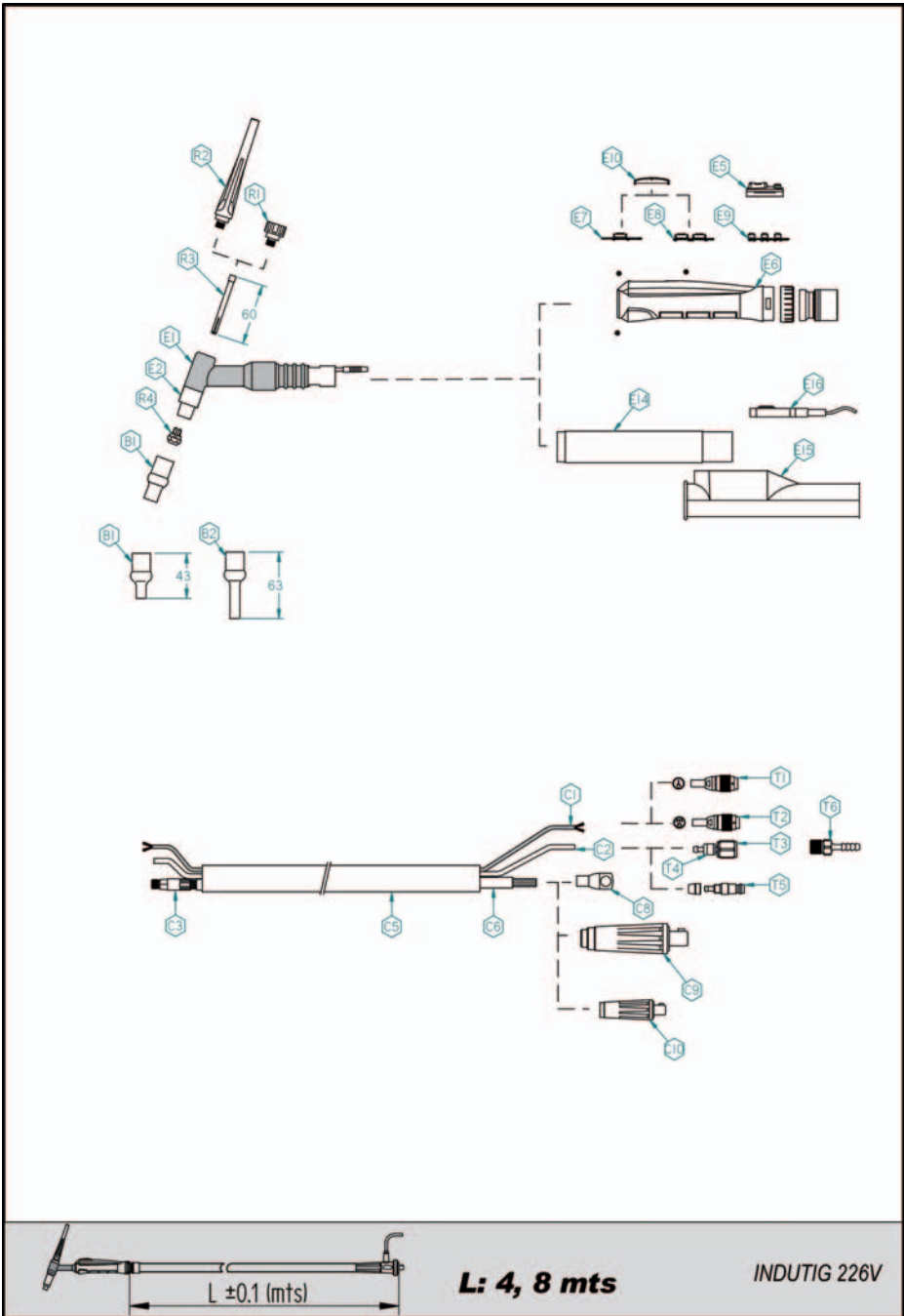
LAS TENSIONES DE CARGA ESTÁN ADECUADAS A LA NORMATIVA: UNE-EN 60974/1 (U = 14 + 0,05 x I)

CONTROLES ELÉCTRICOS

PULSADOR ELÉCTRICO DE 50 mA -24V EN AC



EN 60974-7



L: 4, 8 mts

INDUTIG 226V

POS.	CÓDIGO	DESCRIPCIÓN		PZAS./BOLSA
	222EI04	ANTORCHA BITUBO	226 IMPACT 4 MTRS.	1
	222EI	ANTORCHA BITUBO	226 IMPACT 75 MTRS.	1
R-1	221TPLG1	TAPA LARGA	226V -411-70-	5
R-2	221TPCT1	TAPA CORTA	226V -411-30-	5
R-3	221PZ10	PINZA PORTATUGSTENO Ø 1'0MM.	210V -964-01- .040"	5
	221PZ16	PINZA PORTATUGSTENO Ø 1'6MM.	210V -965-01- 1/16"	5
	221PZ20	PINZA PORTATUGSTENO Ø 2'0MM.	210V	5
	221PZ24	PINZA PORTATUGSTENO Ø 2'4MM.	210V -966-01- 3/32"	5
	221PZ32	PINZA PORTATUGSTENO Ø 3'2MM.	210V -967-01- 1/8"	5
	221PZ40	PINZA PORTATUGSTENO Ø 4'0MM.	210V -968-01- 5/32"	5
E-1	222EL01	CABEZAL ELECTRICO	226 -226-00-	1
E-2	22102	AISLANTE CABEZA	210V/226V	5
E-5	06ER13	PULSADOR 3 POSICIONES	IMPACT	1
E-6	221EIEP	EMPUÑADURA COMPLETA ELECTRICA	TEC	1
E-7	0299ER14	MICRO SIMPLE	IMPACT	1
E-8	0299ER12	MICRO DOBLE	IMPACT	1
E-9	0299ERIC	MICRO TRIPLE	IMPACT	1
E-10	06ER12	PULSADOR	IMPACT	1
E-14	221VAEP	EMPUÑADURA CILINDRICA	210V/226V -54N84-	1
E-15	226EL02	FUNDA MICRO PLANO	SR-18W/26 -607853-BL1	1
E-16	29902	MICRORRUPTOR PLANO TIG	-SW1F-	1
R-4	221GU10	GUIA Ø 1'0MM.	210V -961-41- .040"	5
	221GU16	GUIA Ø 1'6 MM.	210V -961-51- 1/16"	5
	221GU24	GUIA Ø 2'4 MM.	210V -961-61- 3/32"	5
	221GU32	GUIA Ø 3'2 MM.	210V -961-71- 1/8"	5
	221GU40	GUIA Ø 4'0 MM.	210V -961-81- 5/32"	5
B-1	22130	TOBERA CERAMICA	210V -130-00- #4 1/4"	10
	22130O	TOBERA CERAMICA	210V -130-00- #4 1/4" OR/TC	10
	22131	TOBERA CERAMICA	210V -131-00- #5 5/16"	10
	22131O	TOBERA CERAMICA	210V -131-00- #5 5/16" OR/TC	10
	22132	TOBERA CERAMICA	210V -132-00- #6 3/8"	10
	22132O	TOBERA CERAMICA	210V -132-00- #6 3/8" OR/TC	10
	22133	TOBERA CERAMICA	210V -133-00- #7 7/16"	10
	22133O	TOBERA CERAMICA	210V -133-00- #7 7/16" OR/TC	10
	22134	TOBERA CERAMICA	210V -134-00- #8 1/2"	10
	22134O	TOBERA CERAMICA	210V -134-00- #8 1/2" OR/TC	10
	22135	TOBERA CERAMICA	210V -135-00- #9 9/16"	10
	22135O	TOBERA CERAMICA	210V -135-00- #9 9/16" OR/TC	10
	22136	TOBERA CERAMICA	210V -136-00- #10 1/4"	10
	22136O	TOBERA CERAMICA	210V -136-00- #10 1/4" OR/TC	10
B-2	2213007	TOBERA CERAMICA LARGA	210V -130-07- #4 1/4"	10
	2213107	TOBERA CERAMICA LARGA	210V -131-07- #5 5/16"	10
	2213207	TOBERA CERAMICA LARGA	210V -132-07- #6 3/8"	10
	2213307	TOBERA CERAMICA LARGA	210V -133-07- #7 7/16"	10
	2213407	TOBERA CERAMICA LARGA	210V -134-07- #8 1/2"	10
	2213507	TOBERA CERAMICA LARGA	210V -135-07- #9 9/16"	10
C-1	0299CB	CABLE BIPOLAR APANTALLADO	IMPACT	100
C-2	299TG36B	TUBO P.V.C. BLANCO POR MTRS.	Ø3"6MM.	100
C-3	222CAD	ENGANCHE CABLE DELANTERO	226V	5
C-5	08F2225	FUNDA EXTERIOR	IMPACT SR-26V/SR-18WV	40
C-6	4CS35	CABLE UNIPOLAR	35MM2	100
C-8	221CAT1	ENGANCHE CABLE TRASERO	210V Ø 35/12MM.	5
C-9	4AM3550	CONECTOR AEREO MACHO	35/50.	5
C-10	4AM1025	CONECTOR AEREO MACHO	10/25.	5
T-1	299E3P	ENCHUFE	3 PINS	1
T-2	299E5P	ENCHUFE	5 PINS	1
T-3	299TG2	TUERCA TRASERA GAS TIG NIQUEL	1/4GAS	10
T-4	299TG88	TETINA TRASERA GAS TIG	Ø3"6MM.	10
T-5	145TA88A	ENCHUFE RAPIDO TUBO Ø3"6MM	EM-401W/501W	10
T-6	221PG	PROLONGADOR TUBO GAS	210V/226V	10